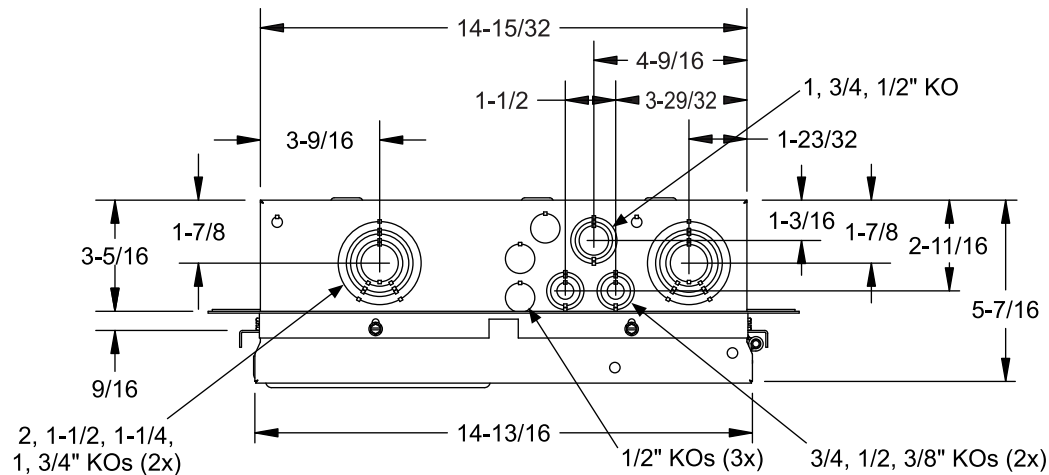


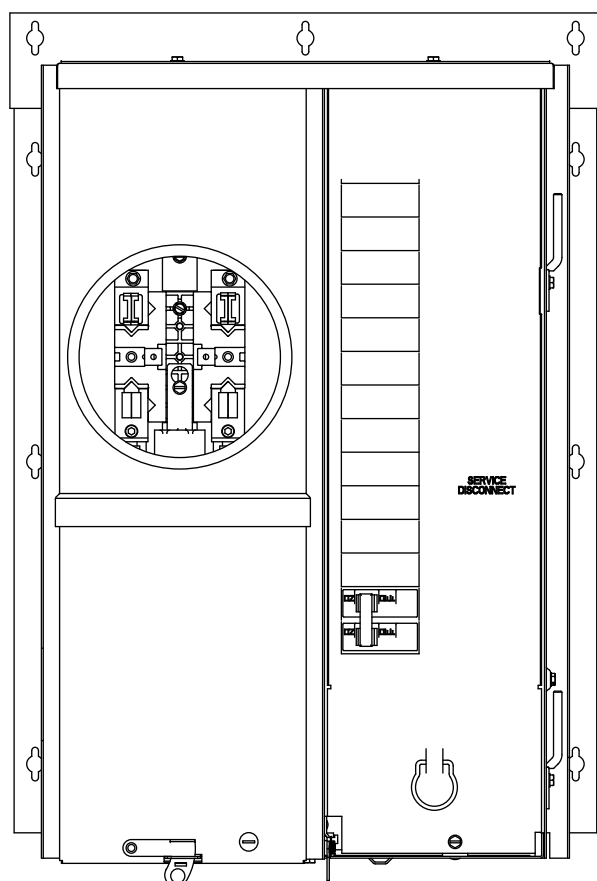
Catalog Number	Main Breaker	Meter Socket Rating
MC1224B1100EFC	100A Main Breaker Installed	100A Continuous
MC1224B1125EFC	125A Main Breaker Installed	125A Continuous

Features and Ratings

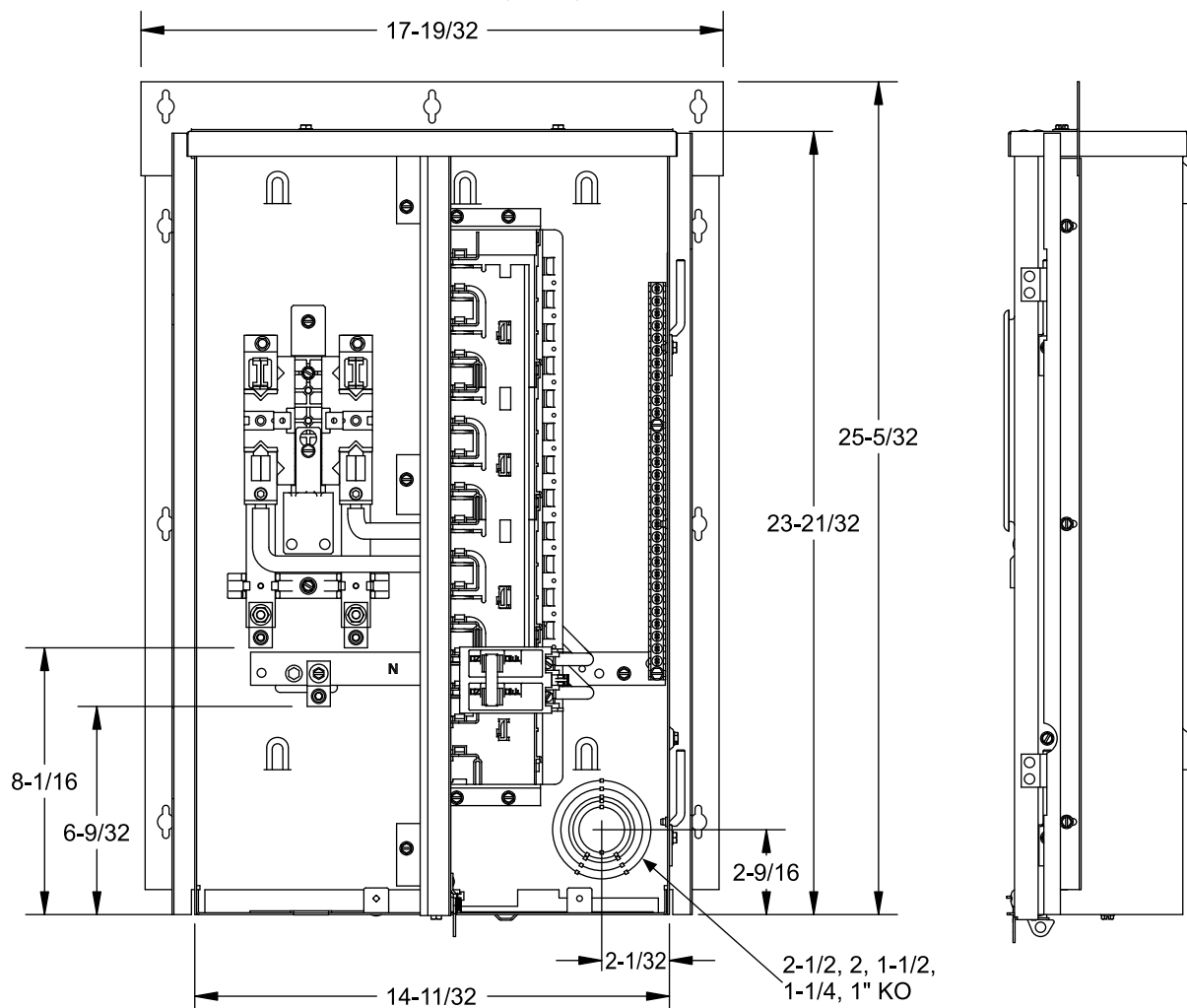
- Outdoor Enclosure (NEMA Type 3R)
- Ring Type Meter Cover
- 1 Phase, 3 Wire, 120/240V~, 120/208V~
- 22,000 AIC Max. Rated (See Wiring Diagram for Details)
- Aluminum Bus Bars
- Overhead or Underground Service Entrance
- Flush Mounting
- Complies with EUSERC Dwg. No. 301



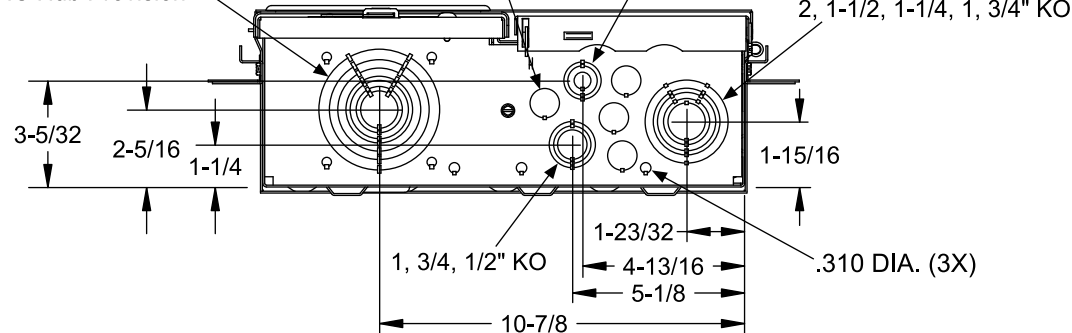
View Shown Without Door



View Shown Without Covers, Door, Deadfront



3, 2-1/2, 2, 1-1/2, 1-1/4, 1, 3/4" KO with HC Hub Provision

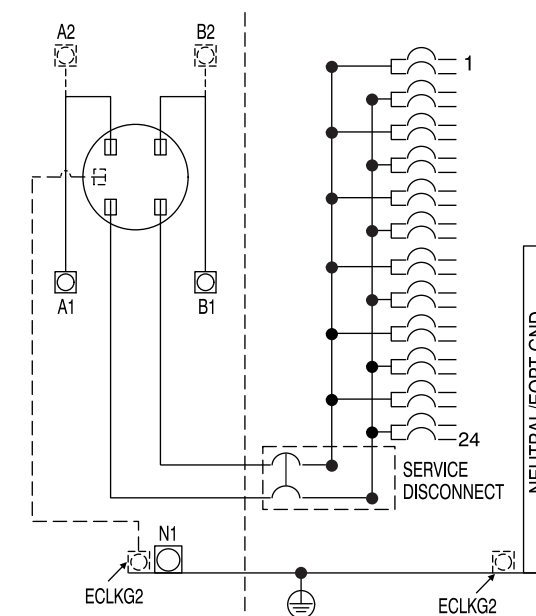


Accessories, Torques & Wire Sizes

Trade size (in)	Catalog number	Accessories	Cat. No.
HC Type Hub (bottom endwall)		Filler Plate	ECCF3
2"	ECHC200	5" Jaw Assembly	EMC5J
2 1/2"	ECHC250	Mechanical Interlock	ECQML12
3"	ECHC300	Meter Socket Jumper	ECJS
		Interlock Kit	ECSBPk02

Lug Kit	Wire Range	Torque
ECLK2	2/0 - #4	135 lb in
ECLKG2	2/0 - #14	50 lb in

Schematic



Any 70-100 Amp circuit breaker must be installed in the lowest position in the branch panel. All other positions are limited to 60 Amp maximum circuit breakers.

Terminal	Wire Size	Torque
A1, B1, A2, B2	2/0 - #4	110 lb-in
N1	2/0 - #4	110 lb-in
Branch Breaker Terminals	See Markings on Breaker	
Neutral/Equipment Ground	#10 - #14 CU	20 lb-in
	#10 - #12 AL	20 lb-in
	#8	25 lb-in
Ground Conductors Only	#6 - #4	35 lb-in
	(2) or (3) #14 AWG	20 lb-in
	(2) #12-#10 AWG	20 lb-in

Line terminals A1 and B1 are installed for underground service entry as shown in the wiring diagram. For overhead entry, service bus may be repositioned.

© 2014 Copyright Siemens Industry, Inc.

SIEMENS
Siemens Industry, Inc.

Meter Load Center Combination

Description:			
100-125A, 12 Sp/24 Ckt, OH/UG, Flush Mount			
KAM 1/27/14	Fam G	DO NOT SCALE DRAWING	Dwg. No. MC1224B11xxEFC