



T1-HBLED Series

LED High Bay



DESCRIPTION

The T1-HBLED series is our line of LED high bay fixtures suitable for a wide variety of applications and mounting heights. Precision-designed optics, multiple distributions, and a choice of lumen outputs and color temperatures make the energy-efficient T1-HBLED series the ideal solution for industrial, commercial and other high bay applications.

Specification Features

Construction

Durable post painted steel housing with white gloss finish and optional Clear or Frosted Acrylic lens.

Applications

Warehouses, Retail, Aisleway, etc.

Mounting

The T1-HBLED series can be suspended from the ceiling by either AYC or EYE chain, Aircraft cable or it can be mounted on the ceiling directly.

Certification

DLC Premium, UL Listed. All components have UL certification. Protection Grade IP20.

Warranty

7-year Limited Warranty. See warranty documentation for more information.

Input Voltage	120-277V
Input Frequency	50/60 Hz
Rated Wattage	See Performance Data
Delivered Lumens	See Performance Data
Efficacy	> 135 LPW
CRI	> 80
Available CCT	4000K, 5000K
Color Consistency	5-step MacAdam Ellipse
Rated Life	> 50,000 hours
Ambient Temp.	-20°C to 50°C
Power Factor	> 0.92
THD	< 20%
Dimming	0-10V Continuous (10-100%)

Ordering Options

Example: T1-HBLED/B/161-50

T1-HBLED/ Series	B / 161 Rated Wattage	- 50 Color Temp	[Blank] Lens Difuser	[Blank] Dimming
T1-HBLED	111 111W 161 161W 221 221W 321 321W	40 4000K 50 5000K	Blank Frosted C Clear	Blank 0-10V
Options				
Emergency Backup		Controls		Accessories
EM ST Step-down Transformer 347-480V		OS Occupancy Sensor OSDL Occ. Sensor w/ Daylight		WG Wire Guard PM Pendant-mount Kit AC Aircraft cable suspension kit CRD Cord





Performance Data

T1-HBLED/B/111

Zonal Lumen Summary

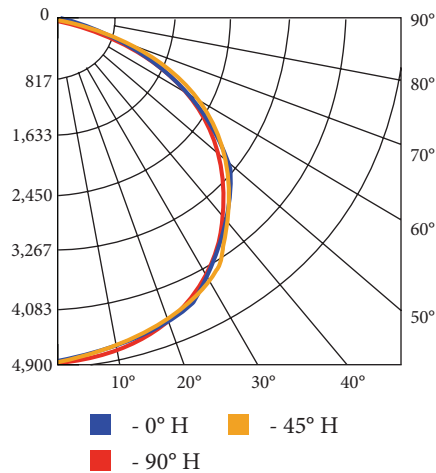
Zone	Lumens	%Lamp	%Luminaire
0-30	3,751.8	28.1%	28.1%
0-40	6,161.5	46.1%	46.1%
0-60	10,833.2	81%	81%
60-90	2,538.3	19%	19%
0-90	13,371.5	100%	100%

Lens Type	Catalog No.	Rated Wattage (W)	4000K		5000K	
			Delivered Lumens (lm)	Efficacy (lm/W)	Delivered Lumens (lm)	Efficacy (lm/W)
Frosted Lens	T1-HBLED/B/111	111	15,118	136.2	15,152	136.5
	T1-HBLED/B/161	161	21,944	136.3	21,993	136.6
Clear Lens	T1-HBLED/B/111	111	15,118	136.2	15,152	136.5
	T1-HBLED/B/161	161	21,944	136.3	21,993	136.6



Photometric Data

T1-HBLED/B/111-50



Coefficients of Utilization - Zonal Cavity Method

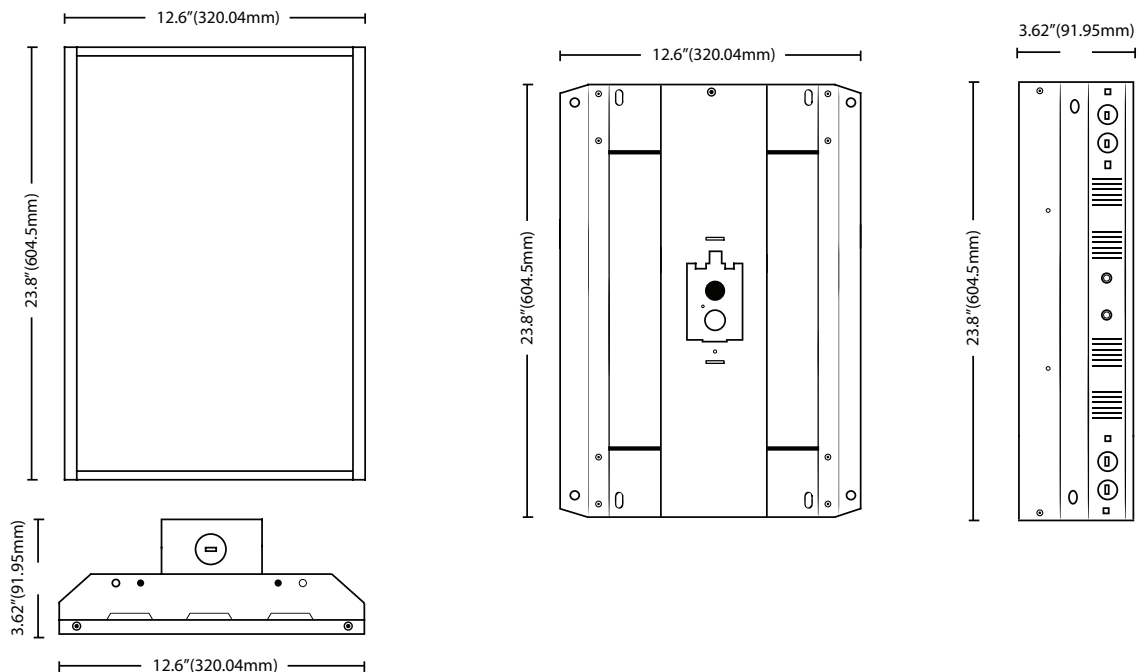
Effective Floor Cavity Reflectance: 20%

RCC%:	80				70				50		
RW%:	70	50	30	0	70	50	30	0	50	30	20
RCR: 0	1.19	1.19	1.19	1.19	1.16	1.16	1.16	1.00	1.11	1.11	1.11
1	1.09	1.04	1.00	.96	1.06	1.02	.98	.85	.98	.95	.92
2	.99	.91	.84	.79	.97	.89	.83	.72	.86	.80	.76
3	.90	.80	.72	.65	.88	.78	.71	.61	.75	.69	.64
4	.83	.71	.62	.56	.81	.70	.61	.53	.67	.60	.54
5	.76	.63	.54	.48	.74	.62	.54	.46	.60	.53	.47
6	.70	.57	.48	.42	.68	.56	.48	.40	.54	.47	.41
7	.65	.52	.43	.37	.64	.51	.43	.36	.49	.42	.36
8	.61	.47	.39	.33	.59	.47	.38	.32	.45	.38	.33
9	.57	.43	.35	.30	.55	.43	.35	.29	.42	.34	.29
10	.53	.40	.32	.27	.52	.39	.32	.26	.38	.31	.27



Dimensions

T1-HBLED/B/111





Performance Data

T1-HBLED/B/161

Zonal Lumen Summary

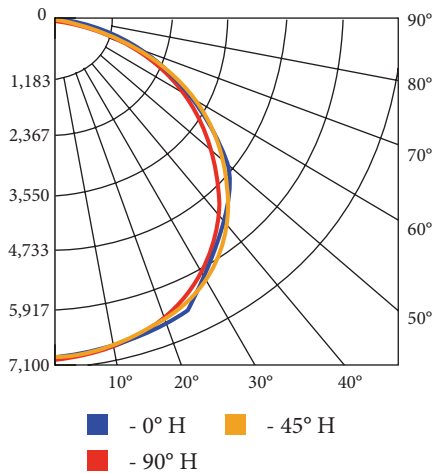
Zone	Lumens	%Lamp	%Luminaire
0-30	5,474.7	28.6%	27.8%
0-40	9,004.1	47%	45.7%
0-60	15,878.1	82.9%	80.6%
60-90	3,820.0	19.9%	19.4%
0-90	19,698.0	102.8%	100%

Lens Type	Catalog No.	Rated Wattage (W)	4000K		5000K	
			Delivered Lumens (lm)	Efficacy (lm/W)	Delivered Lumens (lm)	Efficacy (lm/W)
Frosted Lens	T1-HBLED/B/111	111	15,118	136.2	15,152	136.5
	T1-HBLED/B/161	161	21,944	136.3	21,993	136.6
Clear Lens	T1-HBLED/B/111	111	15,118	136.2	15,152	136.5
	T1-HBLED/B/161	161	21,944	136.3	21,993	136.6



Photometric Data

T1-HBLED/B/161-50



Coefficients of Utilization - Zonal Cavity Method

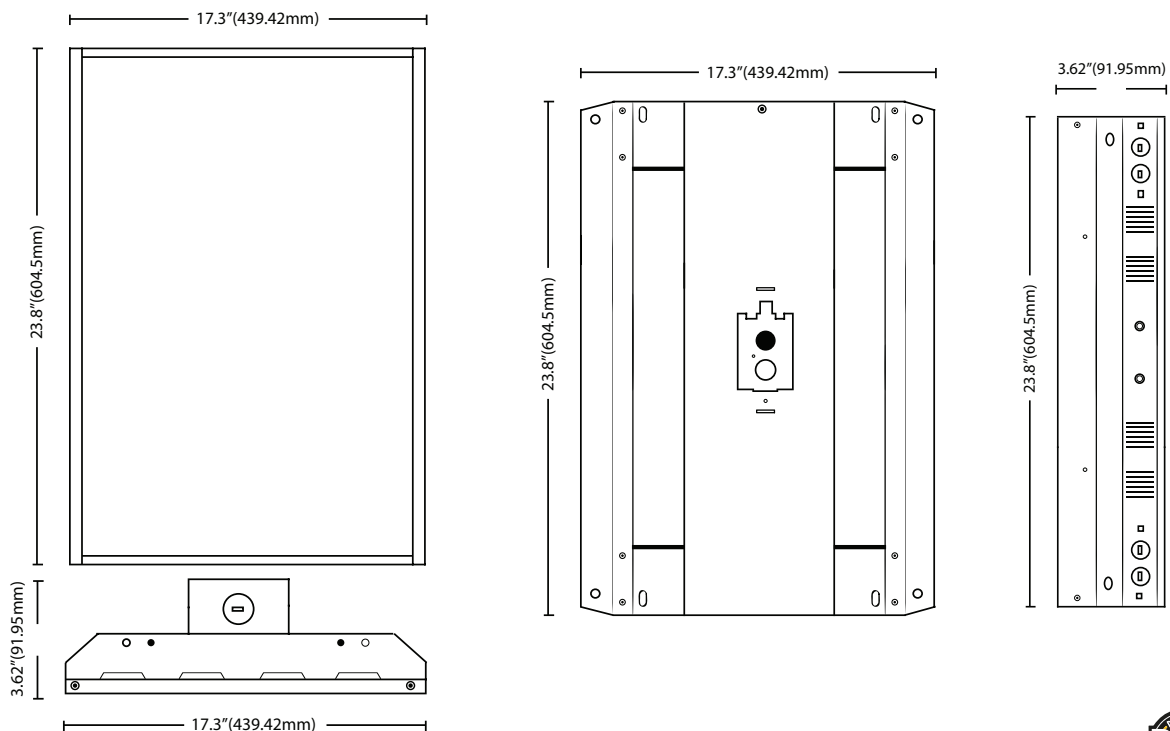
Effective Floor Cavity Reflectance: 20%

RCC%:	80				70				50		
RW%:	70	50	30	0	70	50	30	0	50	30	20
RCR: 0	1.22	1.22	1.22	1.22	1.20	1.20	1.20	1.03	1.14	1.14	1.14
1	1.12	1.07	1.03	.99	1.09	1.05	1.01	.87	1.01	.97	.94
2	1.02	.94	.87	.81	.99	.92	.85	.74	.88	.83	.78
3	.93	.82	.74	.67	.91	.81	.73	.63	.78	.71	.66
4	.85	.73	.64	.57	.83	.72	.63	.54	.69	.62	.56
5	.78	.65	.56	.49	.76	.64	.55	.47	.62	.54	.48
6	.72	.59	.50	.43	.70	.58	.49	.41	.56	.48	.42
7	.67	.53	.44	.38	.65	.52	.44	.37	.51	.43	.38
8	.62	.49	.40	.34	.61	.48	.40	.33	.46	.39	.33
9	.58	.45	.36	.30	.57	.44	.36	.30	.43	.35	.30
10	.55	.41	.33	.28	.53	.41	.33	.27	.40	.32	.27



Dimensions

T1-HBLED/B/161





Performance Data

T1-HBLED/B/221

Zonal Lumen Summary

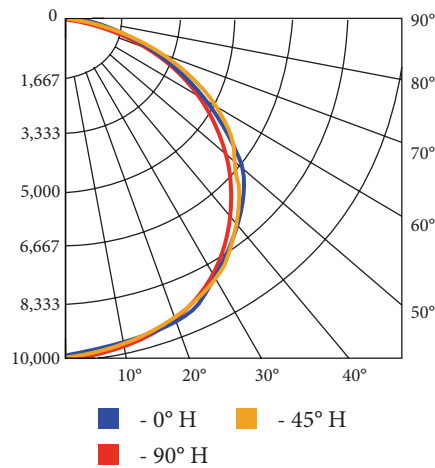
Zone	Lumens	%Lamp	%Luminaire
0-30	7,683.3	28.4%	27.7%
0-40	12,626.8	46.6%	45.5%
0-60	22,275.8	82.2%	80.2%
60-90	5,504.0	20.3%	19.8%
0-90	27,779.8	102.6%	100%

Lens Type	Catalog No.	Rated Wattage (W)	4000K		5000K	
			Delivered Lumens (lm)	Efficacy (lm/W)	Delivered Lumens (lm)	Efficacy (lm/W)
Frosted Lens	T1-HBLED/B/221	221	30,012	135.8	30,078	136.1
	T1-HBLED/B/321	321	41,730	130	41,730	130
Clear Lens	T1-HBLED/B/221	221	30,012	135.8	30,078	136.1
	T1-HBLED/B/321	321	41,730	130	41,730	130



Photometric Data

T1-HBLED/B/221-50



Coefficients of Utilization - Zonal Cavity Method

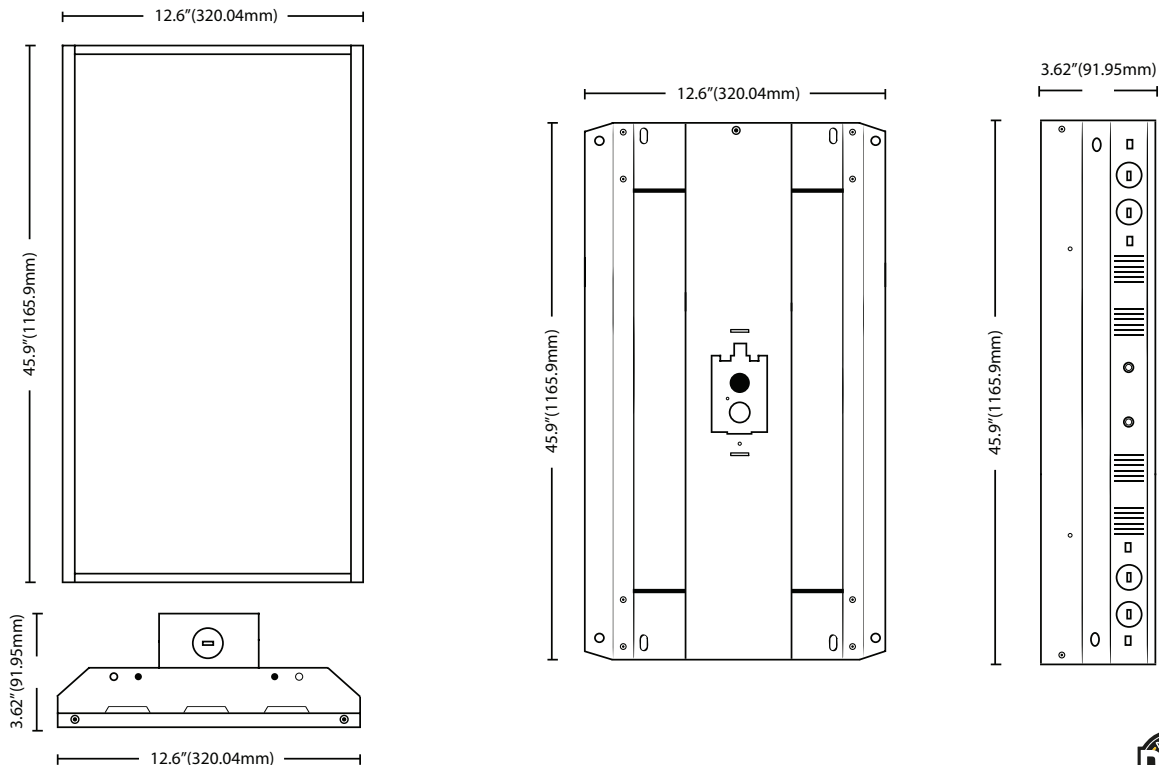
Effective Floor Cavity Reflectance: 20%

RCC%:	80				70				50		
RW%:	70	50	30	0	70	50	30	0	50	30	20
RCR: 0	1.22	1.22	1.22	1.22	1.19	1.19	1.19	1.03	1.14	1.14	1.14
1	1.12	1.07	1.03	.99	1.09	1.05	1.01	.87	1.00	.97	.94
2	1.02	.94	.87	.81	.99	.91	.85	.73	.88	.82	.78
3	.93	.82	.74	.67	.90	.80	.73	.62	.77	.71	.65
4	.85	.73	.64	.57	.83	.71	.63	.54	.69	.61	.56
5	.78	.65	.56	.49	.76	.64	.55	.47	.62	.54	.48
6	.72	.58	.49	.43	.70	.57	.49	.41	.56	.48	.42
7	.67	.53	.44	.38	.65	.52	.44	.37	.51	.43	.37
8	.62	.48	.40	.34	.61	.48	.39	.33	.46	.39	.33
9	.58	.44	.36	.30	.57	.44	.36	.30	.43	.35	.30
10	.54	.41	.33	.27	.53	.40	.33	.27	.39	.32	.27



Dimensions

T1-HBLED/B/221





Performance Data

T1-HBLED/B/321

Zonal Lumen Summary

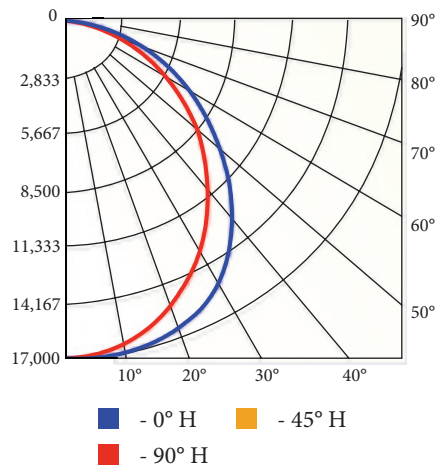
Zone	Lumens	%Lamp	%Luminaire
0-30	12,924.1	28.6%	28.6%
0-40	21,019.3	46.6%	46.6%
0-60	36,299.8	80.5%	80.4%
60-90	8,745.4	19.4%	19.4%
0-90	27,779.8	99.8%	99.8%

Lens Type	Catalog No.	Rated Wattage (W)	4000K		5000K	
			Delivered Lumens (lm)	Efficacy (lm/W)	Delivered Lumens (lm)	Efficacy (lm/W)
Frosted Lens	T1-HBLED/B/221	221	30,012	135.8	30,078	136.1
	T1-HBLED/B/321	321	41,730	130	41,730	130
Clear Lens	T1-HBLED/B/221	221	30,012	135.8	30,078	136.1
	T1-HBLED/B/321	321	41,730	130	41,730	130



Photometric Data

T1-HBLED/B/321-50



Coefficients of Utilization - Zonal Cavity Method

Effective Floor Cavity Reflectance: 20%

RCC%:	80				70				50		
RW%:	70	50	30	0	70	50	30	0	50	30	20
RCR: 0	1.19	1.19	1.19	1.19	1.16	1.16	1.16	1.00	1.11	1.11	1.11
1	1.09	1.04	1.00	.96	1.06	1.02	.98	.85	.98	.95	.92
2	.99	.91	.85	.79	.97	.89	.83	.72	.86	.81	.76
3	.91	.80	.72	.66	.88	.79	.71	.61	.76	.69	.64
4	.83	.71	.63	.56	.81	.70	.62	.53	.67	.60	.55
5	.77	.64	.55	.48	.74	.63	.54	.46	.60	.53	.47
6	.71	.57	.49	.42	.69	.57	.48	.41	.55	.47	.42
7	.66	.52	.43	.37	.64	.51	.43	.36	.50	.42	.37
8	.61	.48	.39	.33	.60	.47	.39	.33	.46	.38	.33
9	.57	.44	.36	.30	.56	.43	.35	.29	.42	.35	.30
10	.54	.40	.33	.27	.52	.40	.32	.27	.39	.32	.27



Dimensions

T1-HBLED/B/321

