



Submittal Data Sheet

Power Supply 208V
Capacity : 18000 Btu/h

Code	22022010012959
Indoor unit code	22022011013851
Outdoor unit code	22022016013946
Model	MSABD-18HRFN1-MS0W
Indoor unit model	MSABD-18HRFN1-MS0W
Outdoor unit model	MSB30-18HRFN1-MS0W



PERFORMANCE DATA

Power supply	Ph-V-Hz	208-230V, 1Ph, 60Hz
--------------	---------	---------------------

Cooling

Capacity	Btu/h	18000
Input	W	1645
Rated current	A	7.35
EER	Btu/w	11.0
SEER	Btu/w	19.0

Heating at 47

Capacity	Btu/h	18000
Input	W	1700
Rated current	A	7.4
COP	W/W	3.1
HSPF4		10.0
HSPF5		8.0

Electrical

MINIMUM CIRCUIT AMPACITY	A	15.0
MAX. FUSE	A	20.0
Connection wiring		16*4 AWG

Compressor

Model		KSN140D21UFZ
Type		Rotary
Brand		GMCC
Capacity	Btu/h	14910.44
Input	W	1135
Rated current(RLA)	A	7.5
Locked rotor Amp(LRA)	A	-
Thermal protector		-
Thermal protector position		-
Refrigerant oil/oil charge	ml	VG74/440

SYSTEM DATA

Design pressure	PSIG	550/340
Refrigerant type	oz	R410A/44.09
Refrigerant precharge	ft	25
Additional charge per ft.	oz	0.161
Liquid side/Gas side	mm(in)	Φ6.35/Φ12.7(1/4"/1/2")
Max. refrigerant pipe length	ft	98
Max. difference in level	ft.	66

INDOOR UNIT DATA

Indoor fan motor

Model		ZKFP-30-8-3
Brand		Welling
Input		36
RLA	A	0.11
LRA	A	-
Winding Resistance	Ω	-
Capacitor	uF	-
Speed(Hi/Mi/Lo)	r/min	1100/800/750

Air flow & Noise level

Indoor air flow (Hi/Lo)	CFM	449/97/393/262
Indoor noise level (Hi/Lo)	dB(A)	43/35/30.5

Indoor unit

Dimension(W*D*H)	inch	37.99x8.46x12.56
Packing (W*D*H)	inch	41.14x12.01x15.94
Net/Gross weight	lbs.	24.03/32.19

OUTDOOR UNIT DATA

Outdoor fan motor

Model		ZKFN-34-8-1-3
Brand		Welling
Input		58
RLA	A	0.39
LRA	A	-
Winding Resistance	Ω	77.3
Capacitor	uF	-
Speed	r/min	800/750/650

Air flow & Noise level

Outdoor air flow	CFM	1176
Outdoor noise level	dB(A)	57.5

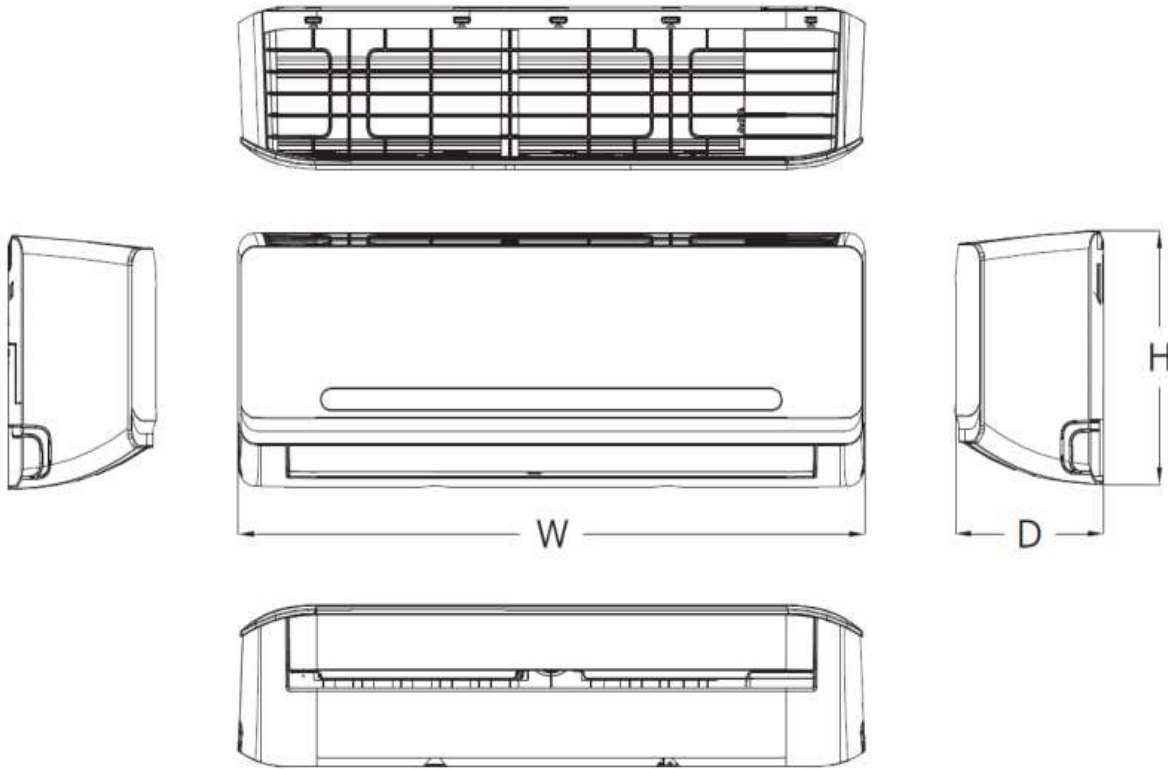
Outdoor unit

Dimension(W*D*H)	inch	31.50x13.11x21.81
Packing(W*D*H)	inch	36.22x15.35x24.21
Net/Gross weight	lbs.	79.8/85.76

Operation temperature

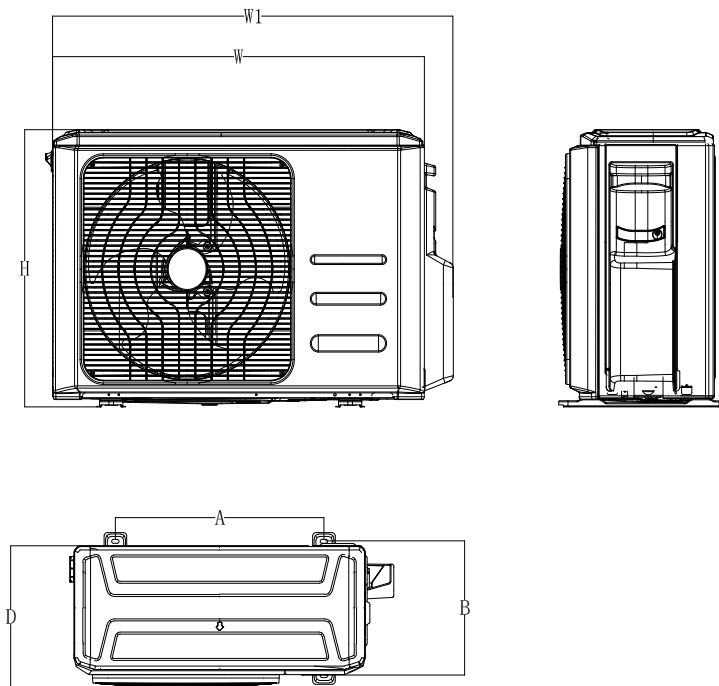
Indoor(cooling/heating)	Deg. F	62 ~ 90/32 ~ 86
Outdoor(cooling/heating)	Deg. F	5 ~ 122/5 ~ 86
Application area	sq.ft	251-368

INDOOR UNIT



Model	W (inch)	D (inch)	H (inch)
MSABD-18HRFN1-MSOW	37.99	8.46	12.56

OUTDOOR UNIT



Model	W (inch)	D (inch)	H (inch)	W1 (inch)	A (inch)	B (inch)
MSB30-18HRFN1-MSOW	31.5	13.11	21.81	34.25	20.24	13.39