



TOSOT

LOMO

TOSOT

SINGLE ZONE WALL MOUNTED HEAT PUMP SYSTEM

TW12HQ3C2A		
Indoor Unit	TW12HQ3C2AI	
Outdoor Unit	TW12HQ3C2AO	
Performance		
Cooling Rated Capacity	Btu/h	12,000
Cooling Cap. Range Min-Max	Btu/h	3,753~12,500
SEER/EER	18.0/10.06	
Heating Rated Capacity(47°F)	Btu/h	13,000
Heating Rated Capacity(17°F)	Btu/h	7,500
Heating Cap. Range Min-Max	Btu/h	3,412~15,013
HSPF/COP	9.0/3.05	
Electrical		
Voltage,Phase,Cycle	V-Ph-Hz	115-1-60
Voltage Range	V	103~127
MCA	A	20
MOP	A	30
Compressor RLA	A	15.23
Fan Motor FLA	A	0.23
Cooling Power Input	W	1,194
Heating Power Input	W	1,250
Piping		
Pipe Length Min-Max	ft	10~98.4
Piping Lift	ft	49.2
Liquid Line	in	1/4
Vapor Line	in	3/8
Connection Type	Flare	



Operating Range		
Cooling Outdoor DB	°F	0~115
Heating Outdoor DB	°F	-4~75
System Data		
Compressor Type	DC Inverter Rotary	
Refrigerant Type	R410A	
Pre-Charge	oz	31.8
Pre-Charge Length	ft	25
Additional Charge	oz/ft	0.2
Refrigerant Control	EXV	
ODU Sound Pressure (Cooling/Heating)	dB(A)	53/53
IDU Sound Pressure (Min/Max)	dB(A)	29/43
IDU Airflow Volume	cfm	194/400
Dehumidification	pts/hr	2.96



Job Name:		Date:	
Reference #:			
Signature:			



COOLING PERFORMANCE*						
Outdoor Ambient DB	Indoor Entering Air Temperatures					
	68°F DB		73°F DB		80°F DB	
	57°F WB		61°F WB		67°F WB	
	TC	SHC	TC	SHC	TC	SHC
0°F	6,370	4,618	6,705	4,861	7,058	5,117
5°F	6,785	4,953	7,142	5,213	7,518	5,488
14°F	7,710	5,667	8,116	5,965	8,543	6,279
23°F	8,116	6,005	8,543	6,322	8,992	6,654
32°F	9,017	6,718	9,492	7,071	9,991	7,444
41°F	9,492	7,119	9,991	7,494	10,517	7,888
50°F	9,785	7,388	10,300	7,777	10,843	8,186
59°F	10,088	7,667	10,619	8,070	11,178	8,495
68°F	10,400	7,956	10,947	8,374	11,523	8,815
77°F	10,722	8,256	11,286	8,690	11,880	9,148
86°F	11,155	8,645	11,742	9,100	12,360	9,579
95°F	10,830	8,447	11,400	8,892	12,000	9,360
104°F	10,505	8,247	11,058	8,681	11,640	9,137
113°F	10,190	8,050	10,726	8,474	11,291	8,920
HEATING PERFORMANCE*						
Outdoor Ambient DB	Indoor Ambient Temperature					
	68°F DB		73°F DB		80°F DB	
	57°F WB		61°F WB		67°F WB	
	TC	TC	TC	TC	TC	TC
-31°F	/	/	/	/	/	/
-22°F	6,457	6,389	6,234	6,234	6,234	6,234
-13°F	6,798	6,560	6,448	6,448	6,448	6,448
-4°F	6,957	6,685	6,580	6,580	6,580	6,580
0°F	7,116	6,926	6,750	6,750	6,750	6,750
6°F	7,258	7,000	6,912	6,912	6,912	6,912
10°F	8,178	7,236	7,169	7,169	7,169	7,169
17°F	8,686	7,500	7,424	7,424	7,424	7,424
19°F	9,977	8,797	8,596	8,596	8,596	8,596
24°F	10,288	9,258	9,101	9,101	9,101	9,101
32°F	12,356	12,294	10,879	10,879	10,879	10,879
41°F	13,169	13,063	12,568	12,568	12,568	12,568
43°F	13,486	13,311	12,767	12,767	12,767	12,767
47°F	13,223	13,000	12,548	12,548	12,548	12,548
53°F	12,786	12,622	12,321	12,321	12,321	12,321
59°F	12,289	12,203	12,004	12,004	12,004	12,004
64°F	11,969	11,874	11,695	11,695	11,695	11,695
70°F	11,324	11,188	10,976	10,976	10,976	10,976
75°F	11,006	10,615	10,251	10,251	10,251	10,251
78°F	10,120	10,040	9,806	9,806	9,806	9,806

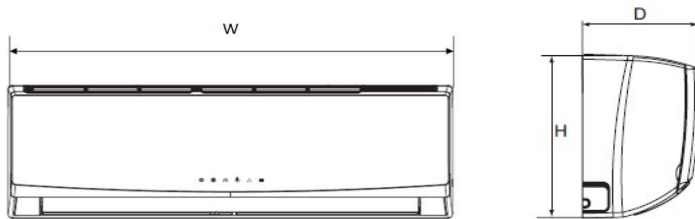
* Maximum System Capacity

TC - Total Capacity(Btu/h)

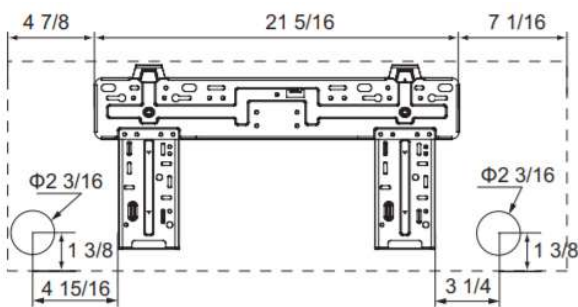
SHC - Sensible Capacity(Btu/h)



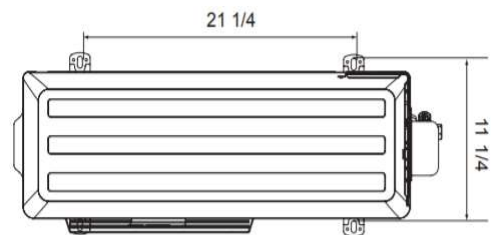
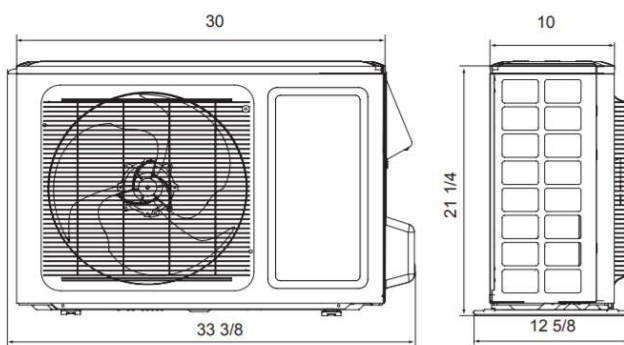
INDOOR & OUTDOOR UNIT DIMENSIONS



Dimensions	
W	33 1/4
H	11 3/8
D	8 1/4



Liquid Line Valve	1/4-in OD Flared
Gas Line Valve	3/8-in OD Flared
Drain Connector	5/8-in OD
Net Weight IDU	23.2 lb
Gross Weight IDU	27.6 lb



Liquid Line Valve	1/4-in OD Flared
Gas Line Valve	3/8-in OD Flared
Net Weight ODU	67.3 lb
Gross Weight ODU	72.8 lb

Unit:inch



INSTALLATION DIAGRAM

