



TQSDT

LOMO

TQSDT

SINGLE ZONE WALL MOUNTED HEAT PUMP SYSTEM

TW36HQ3B4D		
Indoor Unit	TW36HQ3B4DI	
Outdoor Unit	TW36HQ3B4DO	
Performance		
Cooling Rated Capacity	Btu/h	33,600
Cooling Cap. Range Min-Max	Btu/h	7,400~36,000
SEER/EER	16.0/2.4	
Heating Rated Capacity(47°F)	Btu/h	34,600
Heating Rated Capacity(17°F)	Btu/h	20,020
Heating Cap. Range Min-Max	Btu/h	15,000~36,000
HSPF/COP	9.0/2.67	
Electrical		
Voltage,Phase,Cycle	V-Ph-Hz	208 230-1-60
Voltage Range	V	187~253
MCA	A	24.0
MOP	A	40.0
Compressor RLA	A	17.50
Fan Motor FLA	A	0.4
Cooling Power Input	W	4,100
Heating Power Input	W	3,800
Piping		
Pipe Length Min-Max	ft	10~98.4
Piping Lift	ft	33
Liquid Line	in	1/4
Vapor Line	in	5/8
Connection Type	Flare	



Operating Range		
Cooling Outdoor DB	°F	0~115
Heating Outdoor DB	°F	-4~75
System Data		
Compressor Type	DC Inverter Rotary	
Refrigerant Tpye	R410A	
Pre-Charge	oz	91.7166
Pre-Charge Length	ft	25
Additional Charge	oz/ft	0.5
Refrigerant Control	EXV	
ODU Sound Pressure (Cooling/Heating)	dB(A)	65/65
IDU Sound Pressure (Min/Max)	dB(A)	37/54
IDU Airflow	cfm	559 883
Dehumidification	pts/hr	7.40



Job Name:		Date:	
Reference #:			
Signature:			



COOLING PERFORMANCE*								
Outdoor Ambient DB	Indoor				Temperature			
	68°F DB		73°F DB		80°F DB		82°F DB	
	57°F WB		61°F WB		67°F WB		68°F WB	
	TC	SHC	TC	SHC	TC	SHC	TC	SHC
0°F	9,483.2	6,875.3	12,099.2	8,771.9	14,715.3	10,668.6	16,350.3	11,854.0
5°F	12,426.2	9,071.1	15,042.3	10,980.9	17,658.3	12,890.6	18,312.3	13,368.0
17°F	14,061.3	10,335.1	16,677.3	12,257.8	19,293.4	14,180.6	19,947.4	14,661.3
23°F	14,715.3	10,889.3	16,889.3	12,825.2	19,947.4	14,761.1	20,928.4	15,487.0
32°F	15,369.3	11,450.1	17,450.1	13,399.0	20,601.4	15,348.0	21,909.4	16,322.5
41°F	17,331.3	12,998.5	19,998.5	14,960.6	22,563.4	16,922.6	23,544.4	17,658.3
50°F	19,293.4	14,566.5	21,566.5	16,541.6	24,525.5	18,516.8	25,506.5	19,257.4
57°F	20,601.4	15,657.1	22,657.1	17,645.2	25,833.5	19,633.5	26,160.5	19,882.0
67°F	21,582.4	16,510.5	23,510.5	18,511.8	26,814.5	20,513.1	27,141.5	20,763.2
75°F	27,468.5	21,150.7	28,806.7	23,165.1	34,989.7	25,179.5	33,027.6	25,431.3
86°F	29,757.6	23,062.1	30,770.2	25,089.5	37,000.6	27,117.0	35,681.6	26,103.2
95°F	27,468.5	21,425.4	28,806.7	23,466.0	29,103.5	25,506.5	34,662.6	27,036.8
104°F	23,871.4	18,739.0	22,721.1	20,792.7	27,141.5	22,846.2	32,373.6	25,413.3
113°F	21,909.4	17,308.4	21,038.1	19,375.1	23,871.4	21,441.8	29,757.6	23,508.5
122°F	18,639.3	14,818.2	21,255.4	16,898.0	19,293.4	18,977.8	26,487.5	21,057.6
129°F	14,061.3	11,249.0	16,677.3	13,341.8	16,549.9	15,434.7	25,506.5	20,405.2
HEATING PERFORMANCE*								
Outdoor Ambient DB	Indoor				Temperature			
	68°F DB		73°F DB		80°F DB		86°F DB	
	57°F WB		61°F WB		67°F WB		72°F WB	
	TC	SHC	TC	SHC	TC	SHC	TC	SHC
-31°F	/	/	/	/	/	/	/	/
-22°F	12,167	12,167	11,729	11,729	10,415	10,415	9,977	9,977
-13°F	12,994	12,994	12,556	12,556	11,242	11,242	10,804	10,804
-5°F	14,454	14,454	14,016	14,016	12,702	12,702	12,264	12,264
0°F	16,498	16,498	16,060	16,060	14,746	14,746	14,308	14,308
5°F	17,374	17,374	16,936	16,936	15,622	15,622	15,184	15,184
10°F	17,958	17,958	17,520	17,520	16,206	16,206	15,768	15,768
17°F	19,905	19,905	19,467	19,467	18,153	18,153	17,715	17,715
20°F	20,878	20,878	20,440	20,440	19,126	19,126	18,688	18,688
24°F	23,798	23,798	23,360	23,360	22,046	22,046	21,608	21,608
32°F	26,134	26,134	25,696	25,696	24,382	24,382	23,944	23,944
41°F	28,178	28,178	27,740	27,740	26,426	26,426	25,988	25,988
43°F	29,054	29,054	28,616	28,616	27,302	27,302	26,864	26,864
47°F	29,638	29,638	29,200	29,200	27,886	27,886	27,448	27,448
53°F	28,650	28,650	28,212	28,212	26,898	26,898	26,460	26,460
59°F	27,811	27,811	27,373	27,373	26,059	26,059	25,621	25,621
64°F	26,547	26,547	26,109	26,109	24,795	24,795	24,357	24,357
70°F	24,991	24,991	24,553	24,553	23,239	23,239	22,801	22,801
75°F	23,515	23,515	23,077	23,077	21,763	21,763	21,325	21,325
78°F	22,618	22,618	22,180	22,180	20,866	20,866	20,428	20,428

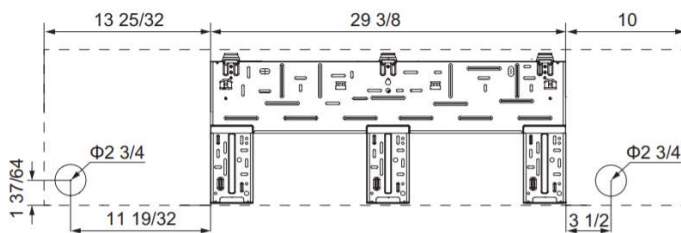
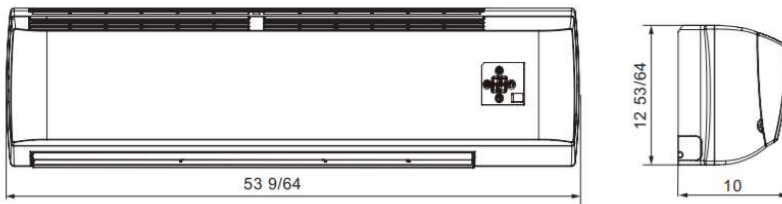
* Maximum System Capacity

TC - Total Capacity(Btu/h)

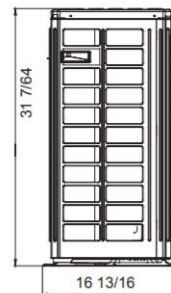
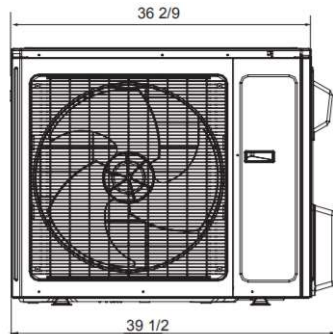
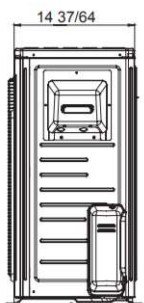
SHC - Sensible Capacity(Btu/h)



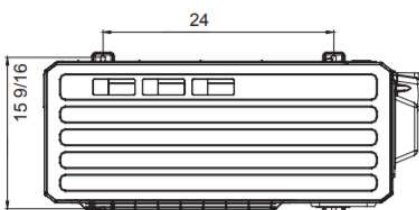
OUTLINE AND PHYSICAL DIMENSIONS



Liquid Line Valve	1/4-in OD Flared
Gas Line Valve	5/8-in OD Flared
Drain Connector	5/8-in OD
Net Weight IDU	40.8 lb
Gross Weight IDU	50.7 lb



Unit:inch



Liquid Line Valve	1/4-in OD Flared
Gas Line Valve	5/8-in OD Flared
Net Weight ODU	158.8 lb
Gross Weight ODU	169.8 lb



INSTALLATION DIAGRAM

