

MODELS SE80PL SE90PL SE110PL SE150PL

Ultra Silent, High Performance, Attractive Design Grille

Description

- Ventilating fan should be ceiling or wall mounted and capable of exhausting air quietly and efficiently. The SE series is HVI and ENERGY STAR certified.
- It comes with a capacitor start motor which is known for its high efficiency and long lasting reliability. It holds an ETL evaluation and conforms to UL and cUL safety standards.
- This fan has a unique plug and play concept that allows you to add accessories such as motion sensor, humidistat, light, or even speed/controller without changing the fan.

Housing

- Made of rugged 26 GA galvanized steel
- Detachable 6 inch polymeric resin collar which includes a light weight built in back draft damper.
- Double hanger bar mounting brackets that are adjustable up to 24 inch span allows for ideal positioning.

Motor/Blower

- Plug in permanently lubricated motor- Engineered for continuous operation.
- The motor is energy efficient and surpasses the minimum ENERGY STAR requirements for continuous duty operation.
- Power rating should be 120 volts and 60 Hz.
- Fan shall be ETL and cETL listed for tub/shower enclosure when used with a GFCI branch circuit.
- Motor comes with a built in overload disconnect for safety and longer motor life.
- Our Premium series operates at lower RPM's to give you quieter operation.

Grille

- The Premium grille is low profile that has elegance and still able to maintain its simplicity.
- Made of a rugged polymeric resin that's known for its long life durability.
- Comes with torsion spring clips that helps mount grille evenly.
- Energy efficient lighting - uses 26W (max.) high efficiency , GU 24 based, fluorescent lamps and 4W night light.

Typical specification

- Ceiling ventilator shall have corrosion resistance galvanized steel housing with 4 point mounting capability.
- It shall be ducted to a roof vent or wall cap using 6 inch round pipe.
- Blower assembly shall be removable, have a centrifugal type blower wheel and a permanently lubricated motor designed for continuous operation.
- Air and sound delivery shall meet the HVI certified ratings as per the fan curves attached.
- Airzone ventilators come with permanent split capacitor motor which improves efficiency this is why it has qualified to carry the ENERGY STAR label.



Optional
Speed controller
Metal Grille

| Reference | QTY. | Remarks | Project: |
|-----------|------|---------|---------------|
| | | | Location: |
| | | | Architect: |
| | | | Engineer: |
| | | | Contractor: |
| | | | Submitted by: |
| | | | Date: |

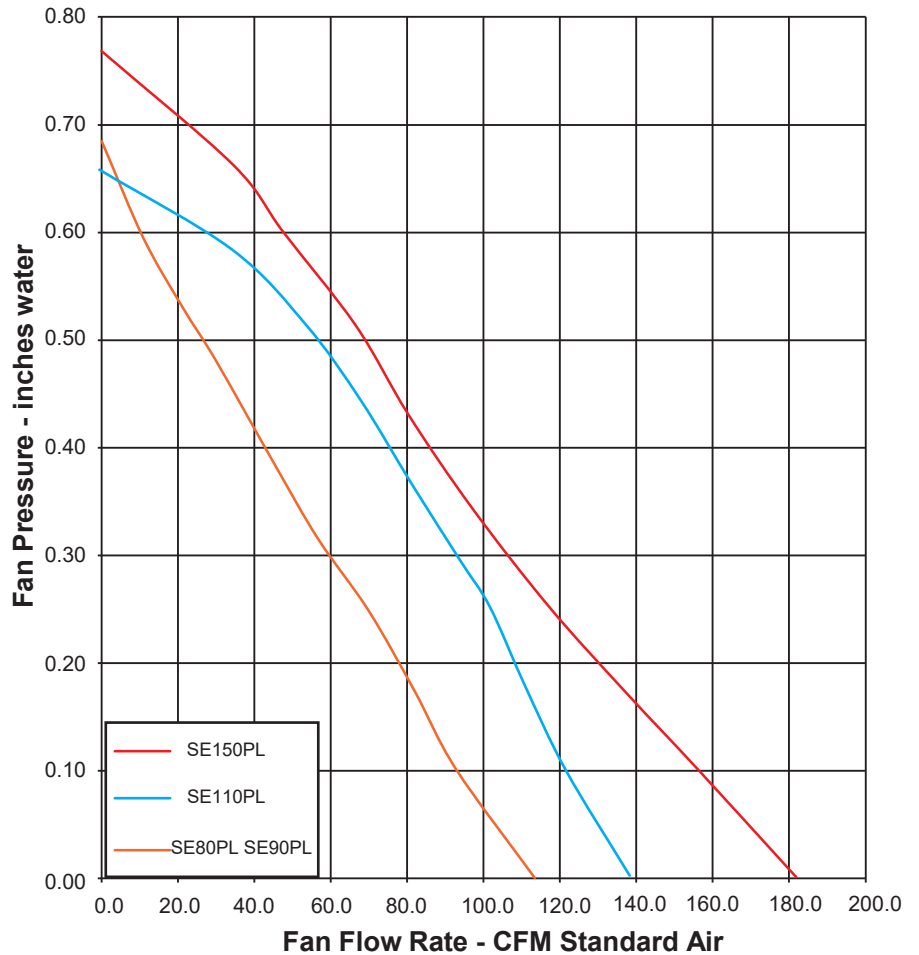
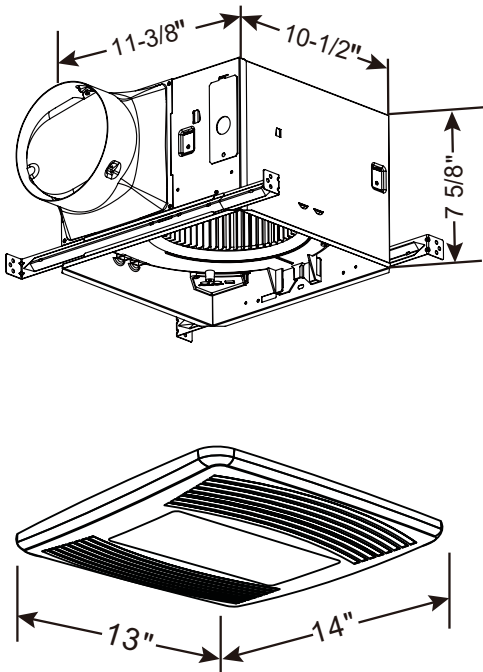
CERTIFICATIONS



| Model Number | SE80PL | | SE90PL | | SE110PL | | SE150PL | |
|--------------------------------|--------|------|--------|------|---------|------|---------|------|
| Static Pressure in inches w.g. | 0.1 | 0.25 | 0.1 | 0.25 | 0.1 | 0.25 | 0.1 | 0.25 |
| Air Volume (CFM) | 80 | 69 | 90 | 69 | 110 | 86 | 150 | 123 |
| Noise (sones) | 0.4 | 1.1 | 0.4 | 1.1 | 0.9 | 1.2 | 0.5 | 1.2 |
| Fan Watts | 25 | 25 | 25 | 25 | 32 | 32 | 40 | 40 |
| Duct Diameter | 6 in. | | | | | | | |
| Power Rating (V/Hz) | 120/60 | | | | | | | |

HVI Certified performance based on HVI Procedures 915, 916, and 920.

Other airflow reference performance based on HVI Procedures 915, 916, and 920.



CERTIFICATIONS

